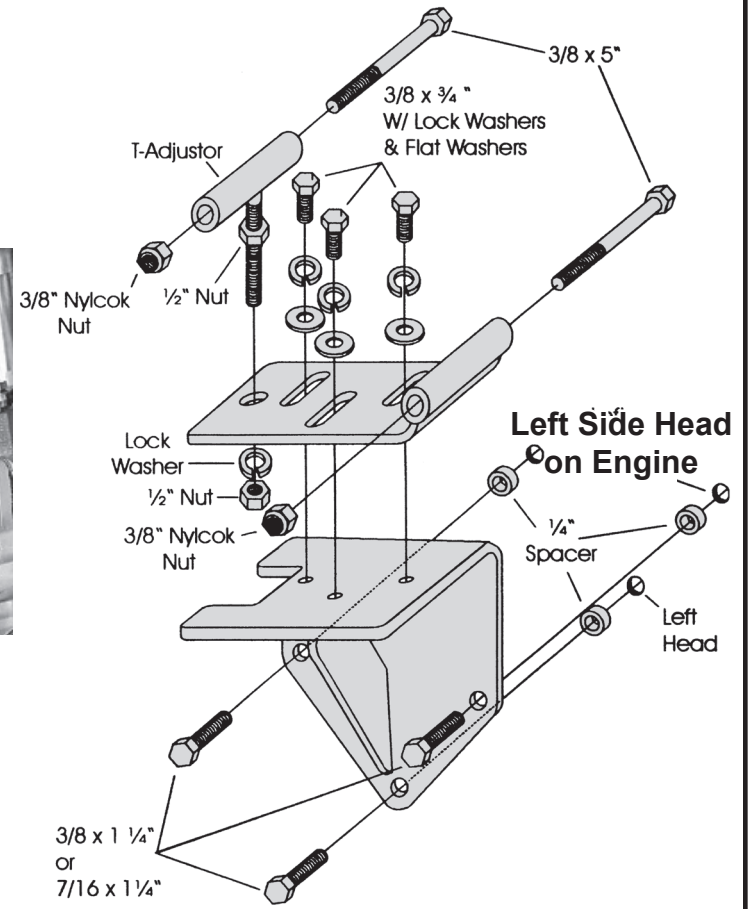
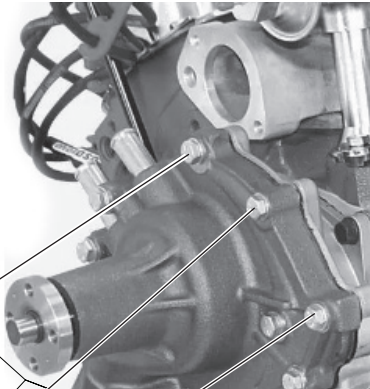
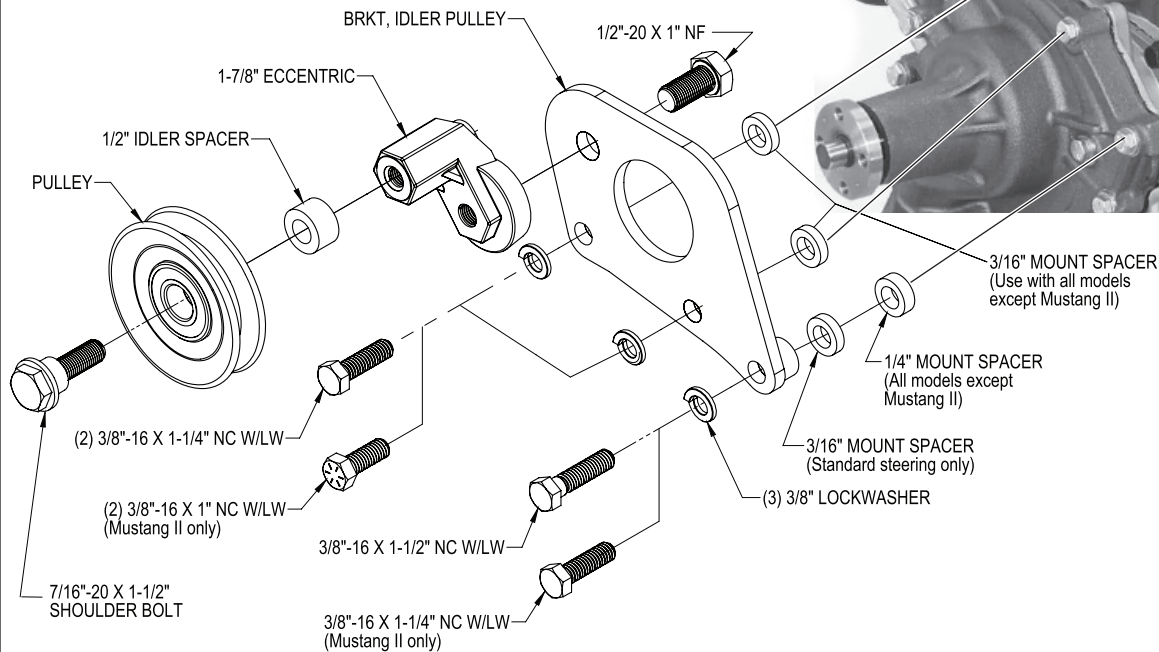


# 40-7302L

**COMPRESSOR MOUNT - DRIVER SIDE**  
(Sanden 508 style compressor or equivalent)

**Ford 1970-78 V-8, 302 & 351**  
(Requires 3 groove crankshaft pulley)



**As with any part of this nature, make sure it fits your application before painting or plating. Parts that have been painted, plated or modified may not be returned.**

**OLD AIR** Cooling the Classics  
**PRODUCTS**

Division of Cold Air Products Inc.

1201 Forum Way South, Fort Worth Texas 76140  
(817) 531-2665 FAX (817) 531-3257

This bracket was designed to be used with the wide variety of pulleys and balancers used on small block Ford engines. With the mount bolted to the left side head and compressor bolted to bracket slide compressor until one of the grooves on the clutch aligns with your pulleys. Tighten the 3 bolt locking it in place. Some heads have 3/8" bolts and some have 5/16" bolts. Both sizes are included with this bracket. If your head uses the 7/16" bolt it will be necessary to enlarge the mounting holes in the bracket to 7/16".