

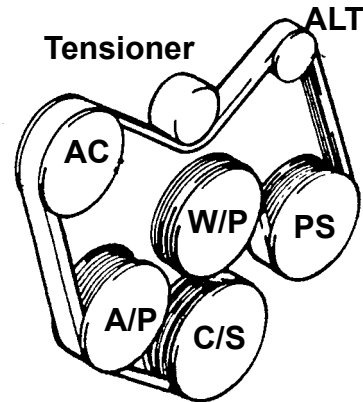
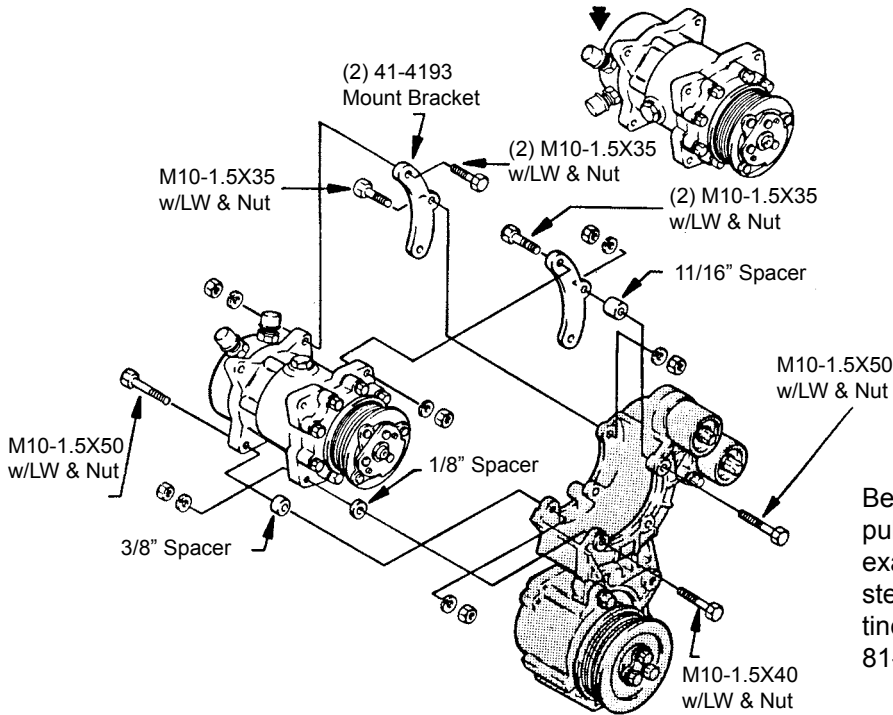
40-4218

OLD AIR *Cooling the Classics*
PRODUCTS
Division of Cold Air Products Inc.

1201 Forum Way South, Fort Worth TX 76140
(817) 531-2665 or FAX 531-3257

Compressor Adapter Bracket Chevrolet V-6 - 4.3 Liter, V-8 - 5.0 & 5.7 Liter w/ Power Steering, w/ Air Pump, w/ Fuel Injection

NOTE: Compressor may be rotated 90 degrees to point fittings toward passenger side if additional space for hood clearance is required.

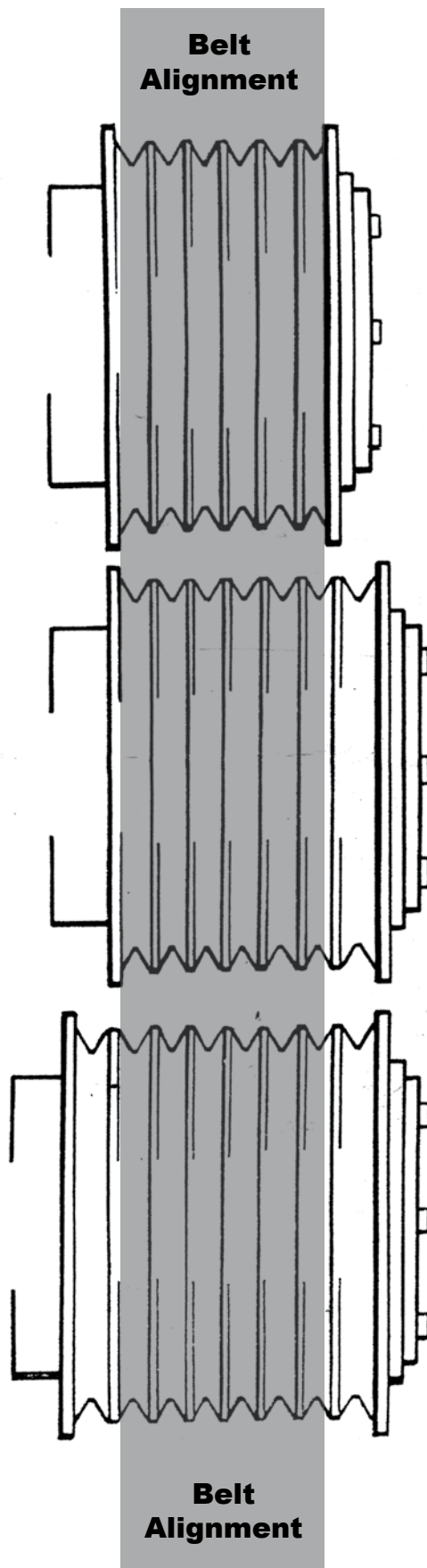


Belt Lengths: Due to the variety of different diameter pulleys used on these engines it is difficult to give the exact belt length required. Most vehicles w/ power steering will use a 98" to 100" inch 6 Groove Serpentine belt. Most vehicles w/o Power Steering use a 81-1/2" inch 6 Groove Serpentine Belt.

INSTALLATION INSTRUCTIONS

1. Disconnect Battery Cable. (Negative or Ground)
2. Remove original R-4 Compressor (or O.E.M. Idler Assembly if equipped)
3. Loosely install the compressor mounts to original bracket assembly. See drawing for proper position and spacers to be used.
4. Loosely install compressor to compressor mounts and original bracket assembly as shown in drawing. Refer to drawing for proper hardware and spacers required.
5. Tighten all mounting bolts securely.
6. Install Belt, See diagram as guide
7. Re-check all mounting bolts to make sure they are secure.
8. BEFORE STARTING ENGINE - Check for proper clearance of radiator & heater hoses, oil lines, fuel lines, belt and compressor clutch.

BELT ALIGNMENT FOR COMPRESSORS WITH POLY-V GROOVE (SERPENTINE) CLUTCH



Six Groove Clutch

Seven Groove Clutch
1 Additional Groove at Front of Pulley

Eight Groove Clutch
2 Additional Grooves
1 at Front & 1 at Rear of Pulley

OLD AIR *Cooling the Classics*
PRODUCTS

Division of Cold Air Products Inc.

1201 Forum Way South, Fort Worth TX 76140
(817) 531-2665 or FAX 531-3257