

40-7379L

Compressor Bracket

Ford 351C w/ or w/o Power Steering

OLD AIR *Cooling the Classics*
PRODUCTS

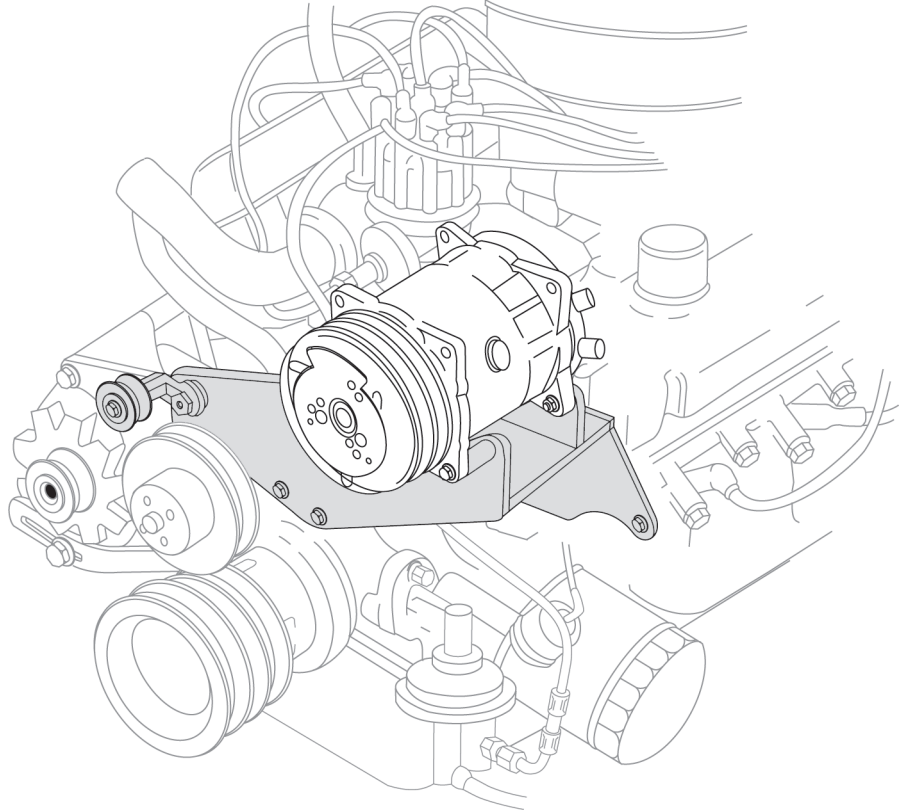
Division of Cold Air Products Inc.

1201 Forum Way South, Fort Worth TX 76140

817-531-2665 or FAX 817-531-3257

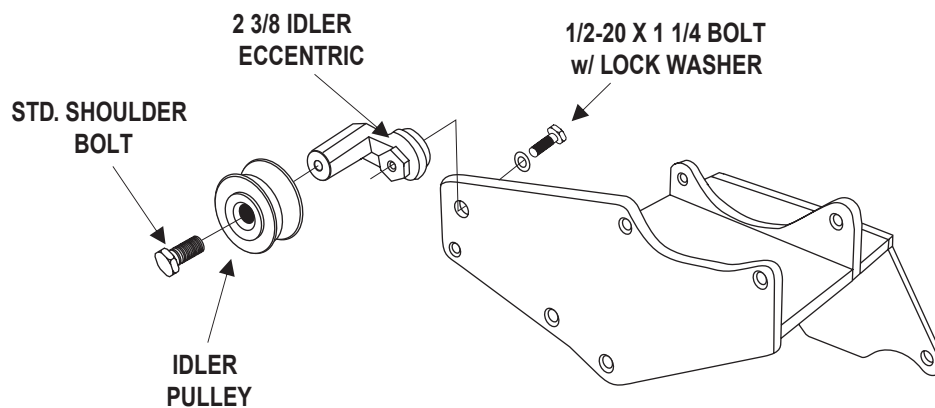
The 40-7379L compressor bracket is designed to mount a Sanden 508 or equivalent on the driver side of a Ford 351C V-8 engine.

Installation requires a 2 Groove water pump pulley (if equipped with power steering) and a 3 groove crankshaft pulley.



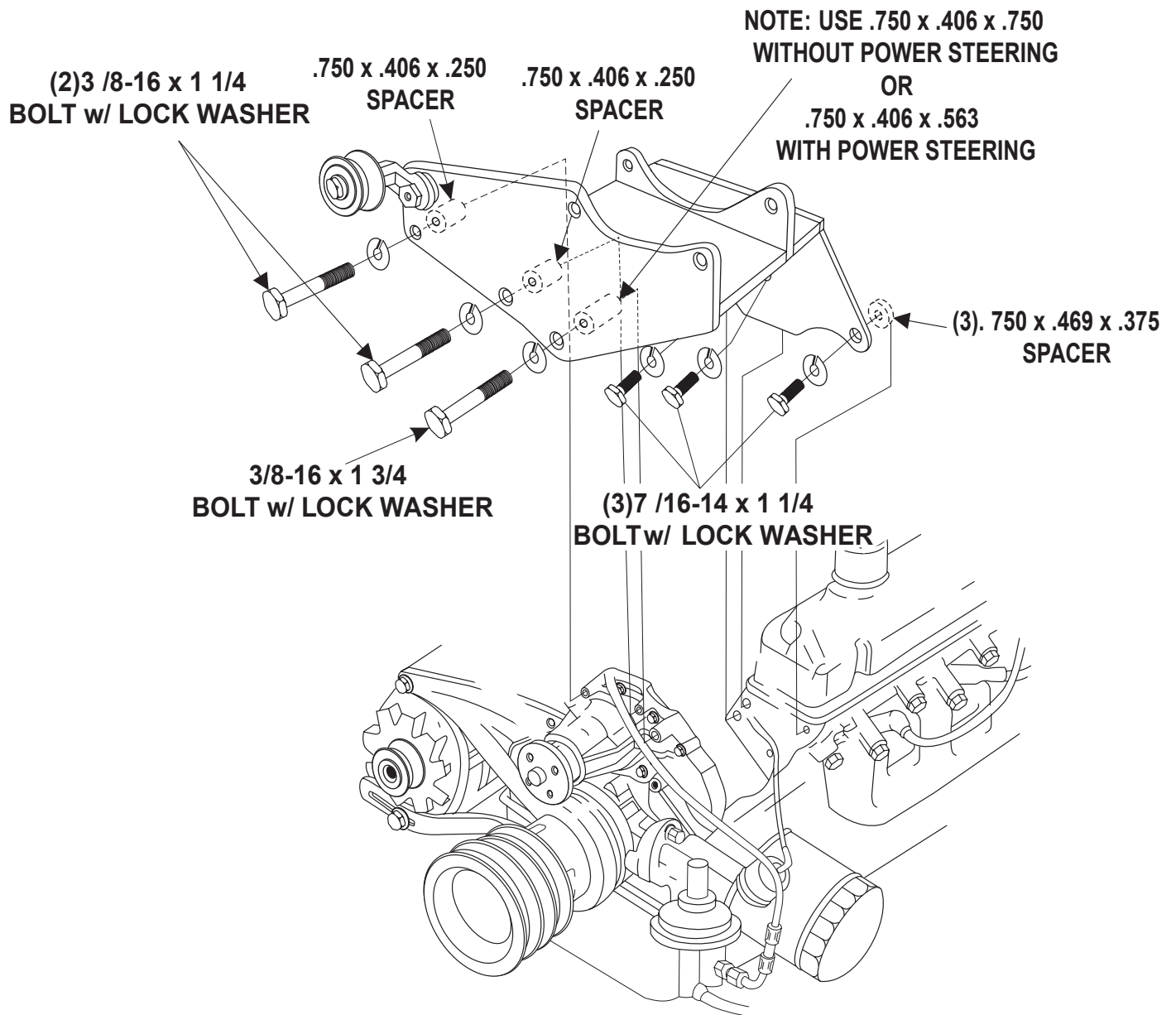
Bracket Installation

- 1) Make sure engine is cool and release pressure in cooling system with radiator cap.
- 2) Remove engine fan, water pump pulley and belts. (Retain these parts)
- 3) Remove the top 3 water pump bolts. (Discard)
- 4) Attach Idler/pulley assembly to the compressor bracket



5) Attach compressor mounting bracket to engine.

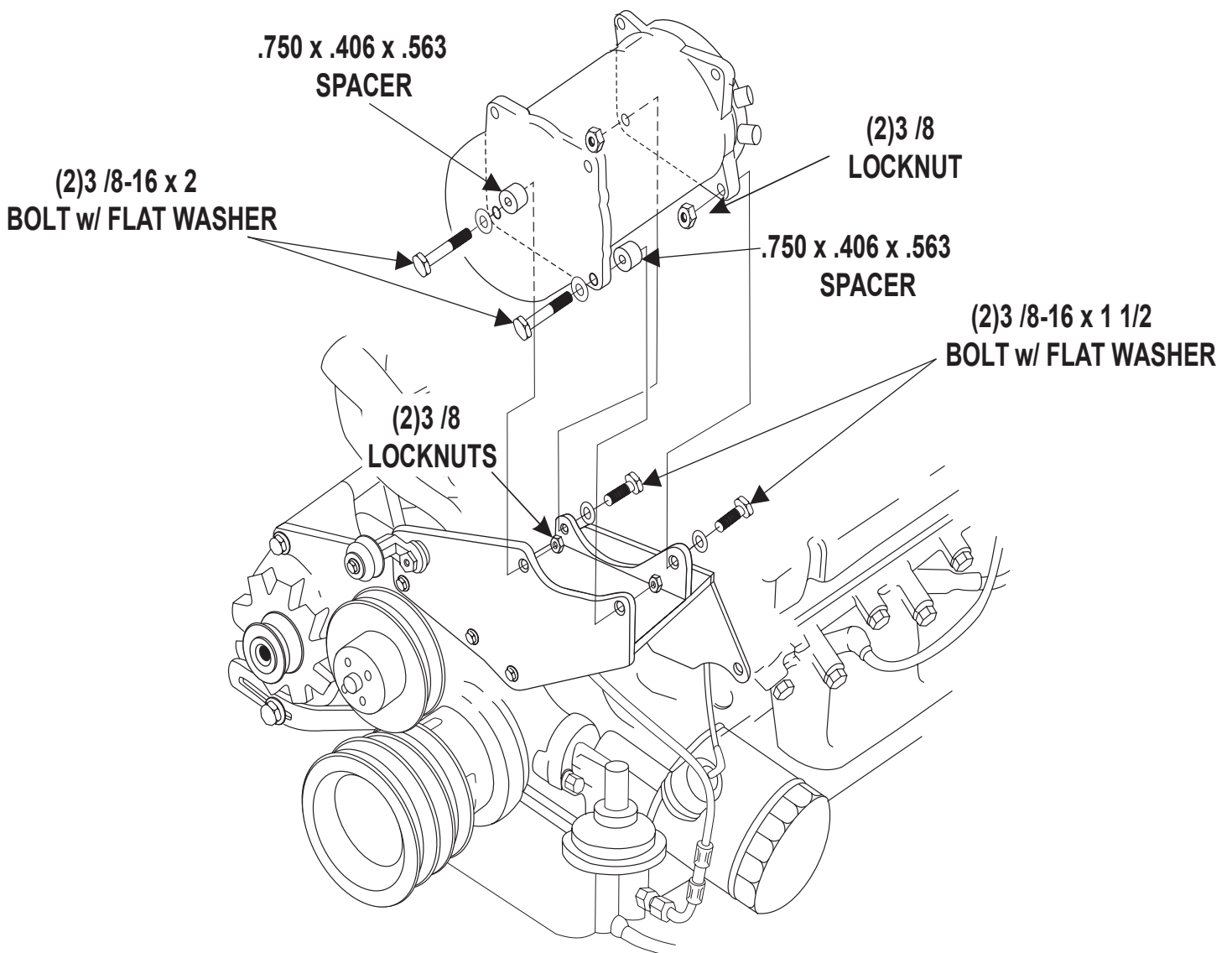
- a) The left and center holes will use (2) 3/8"-16 x 1-1/4" bolts, lock washers and .25 spacer between bracket and water pump.
- b) Right hole will use 3/8"-16 x 1-3/4" bolt with lock washer and .75 spacer without power steering or .563 spacer with power steering between bracket and water pump.
- c) Secure rear portion of the bracket to cylinder head with (3) 7/16"-14 x 1-1/4" bolts, lock washers and (3) .375 spacers between bracket and head.



6) Attach compressor to bracket.

Note: Compressor may be mounted to bracket with fittings pointed up or to the side for additional hood clearance. Do Not Mount compressor with fittings points down.

- a) Use (2) 3/8"-16 x 2 Bolts w/ flat washer, .563 spacer and locknut to secure front ears of compressor the front bracket tabs.
- b) Use (2) 3/8"-16 Bolts w/ flat washer and locknut to secure rear compressor ears of compressor to rear tabs on mounting brackets

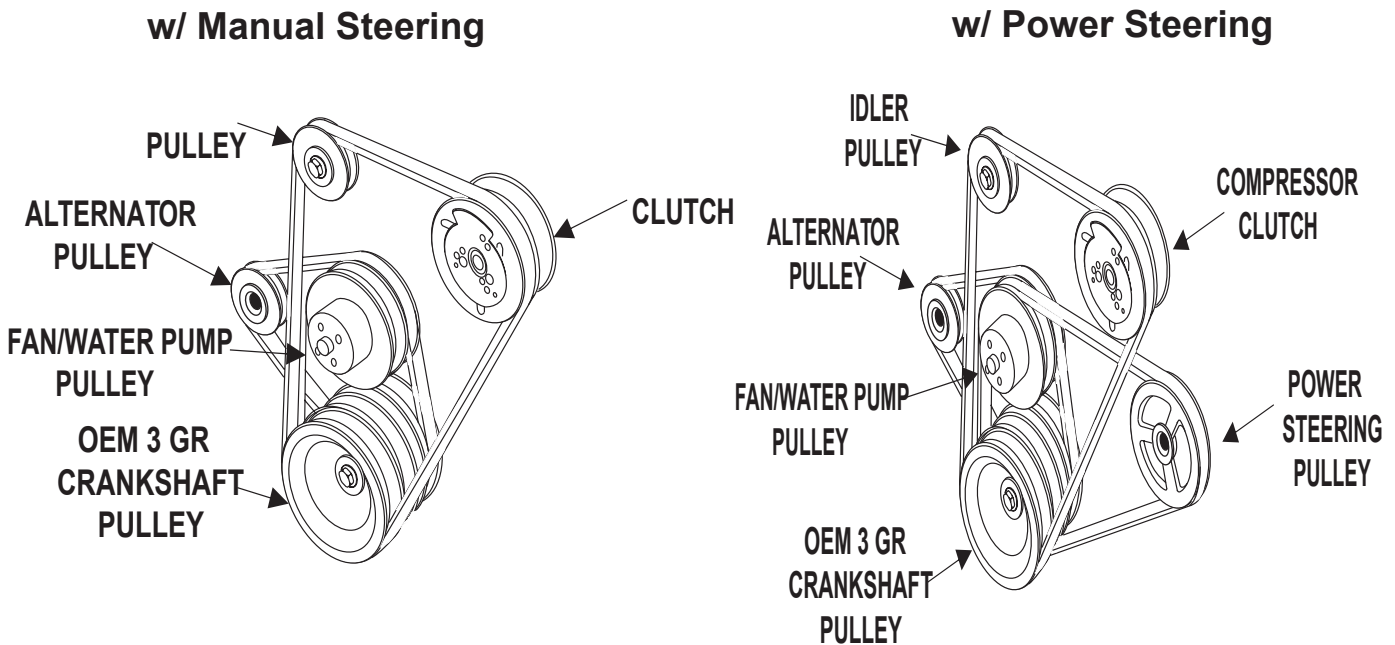


7) Tighten all mounting bolts to secure mounting bracket to engine and compressor to bracket.

8) Reinstall water pump pulley and engine fan.

9) Install belts as per diagram below. adjust to proper tension and tighten all bolts. **Note** - (Belt not included) - Normally the A/C belt size is 1/2" x 56 (Dayco) for engines with stock pulleys. Belt length may vary if using aftermarket pulleys.

Belt Routing Diagram



10) Check to make sure belts are aligned properly.

11) Check radiator coolant level. Refill if needed.

12) Check to make sure all other items such as fan shroud, wire harness, hoses and other items are properly secured to prevent damage from other moving parts before starting engine.