

ALTERNATOR MOUNT

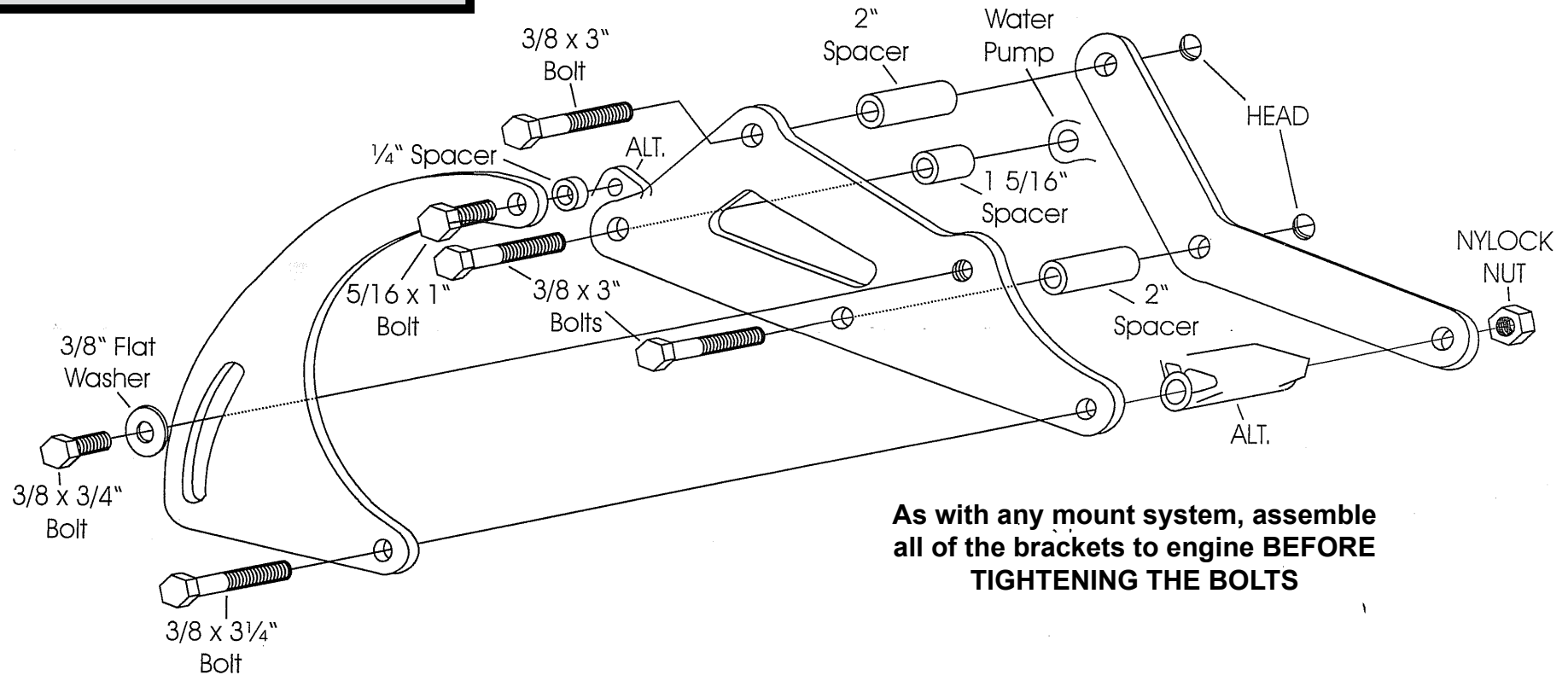
40-232L

Small Block Chevy - Short Waterpump
Driver Side

OLD AIR www.oldairstproducts.com
PRODUCTS
DIVISION OF OLD AIR PRODUCTS INC.

1201 Forum Way South - Fort Worth, TX 76140
(817) 531-2665 - FAX (817) 531-3257

We use a belt length of 55-1/2" to 56-1/2" with this mount on installations in our shop. However this can vary with the diameter of your pulleys.



As with any mount system, assemble all of the brackets to engine BEFORE TIGHTENING THE BOLTS

As with any part of this nature, make sure it fits your application before painting or plating, Parts that have been painted, plated or modified may not be returned.