

# A/C Compressor & Alternator Mount

## 40-311

### 40-425 Buick Nailhead

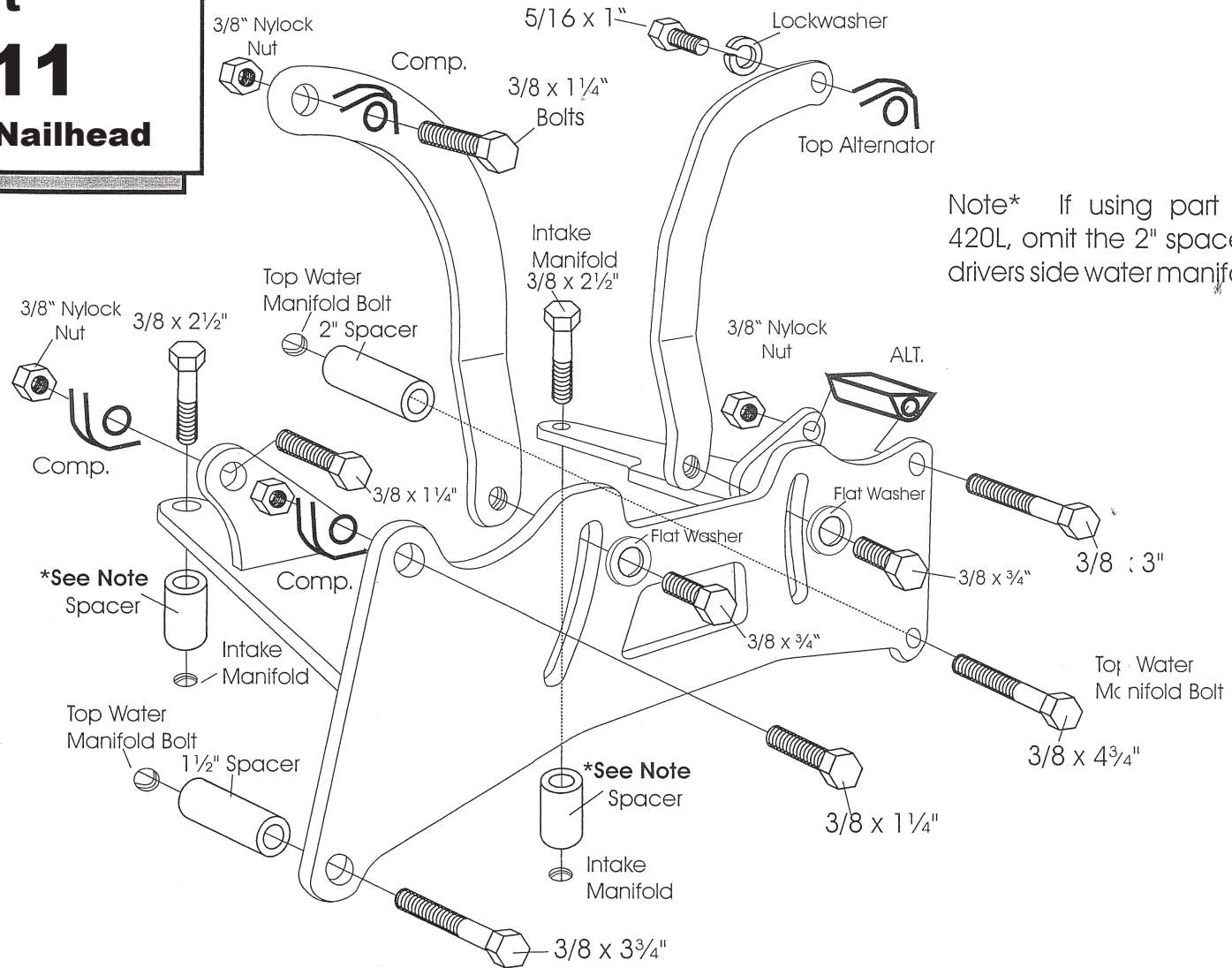
We use a belt length of 51 1/2" - 52 1/2" on the alternator, and 54 1/2" - 55 1/2" for the compressor. Belt lengths will vary depending on the diameter of your pulleys.



1201 Forum Way South - Fort Worth, TX 76140  
(817) 531-2665 - FAX (817) 531-3257

Be Sure to start all bolts before tightening.

**\*Note:** If using factory cast iron intake, use 1 1/4" Spacer. Aftermarket Aluminum Intakes vary in thickness and may require spacer modification. Tighten bolts at water manifold first. Then determine the length of spacer needed between the bracket and intake manifold. 1" spacers are also supplied with hardware.



Note\* If using part number 420L, omit the 2" spacer at the drivers side water manifold.

**As with any part of this nature, make sure it fits your application before painting or plating. Parts that have been painted, plated, or modified may not be returned.**