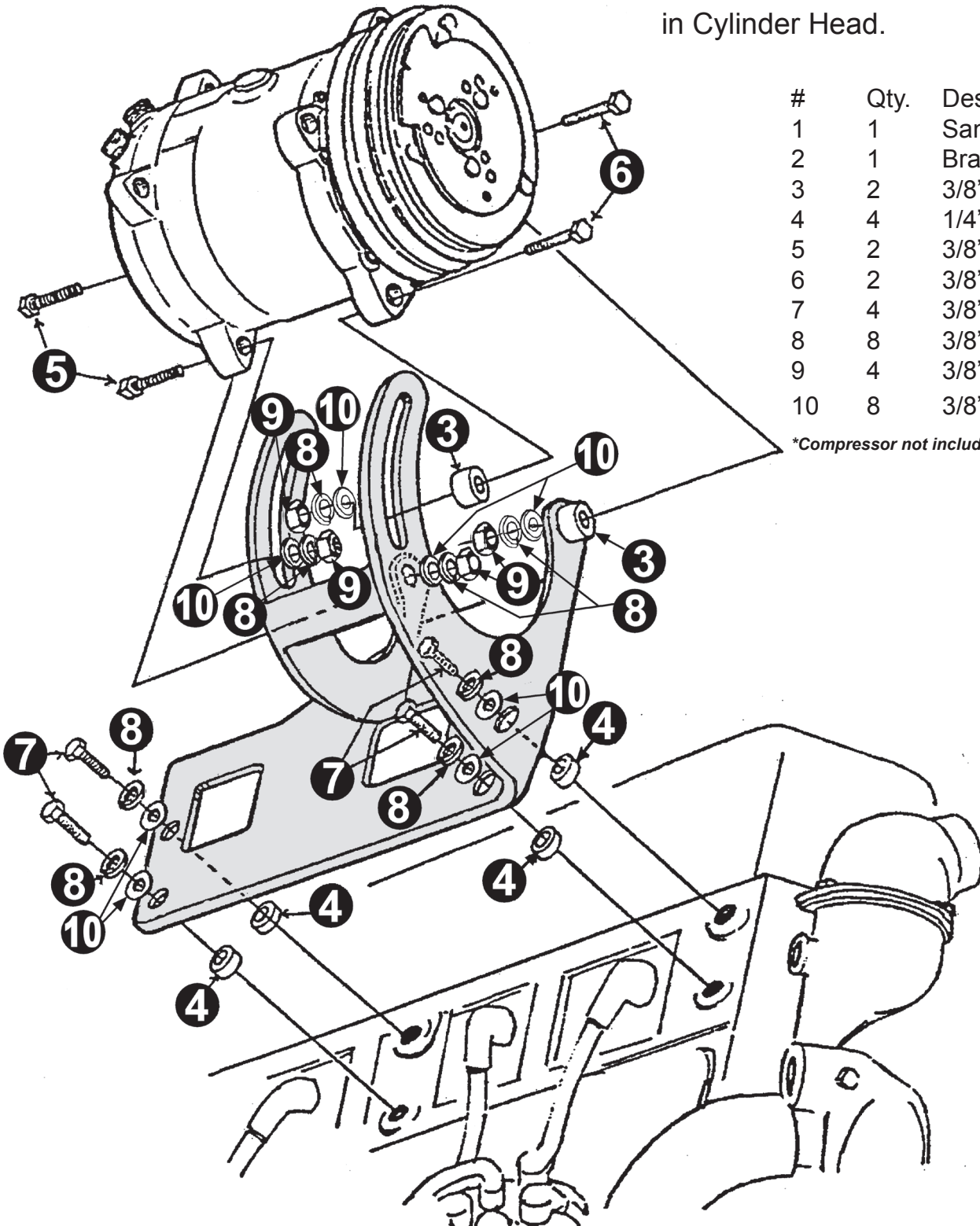


1201 Forum Way South - Fort Worth, TX 76140  
 (817) 531-2665 - FAX (817) 531-3257

# 40-150R

**WARNING:** Cancer  
 and Reproductive Harm -  
 www.P65Warnings.ca.gov

Sanden Compressor Bracket for  
 1963-84 Chevrolet 6 Cylinder Engines  
 w/ Points Distributor & Mounting Holes  
 in Cylinder Head.



#	Qty.	Description
1	1	Sanden Compressor*
2	1	Bracket
3	2	3/8" Spacer
4	4	1/4" Spacer
5	2	3/8" X 1-1/2" Bolt
6	2	3/8" X 1-3/4" Bolt
7	4	3/8" X 1" Bolt
8	8	3/8" Lock Washer
9	4	3/8" Nut
10	8	3/8" Flat Washer

\*Compressor not included w/ bracket kit

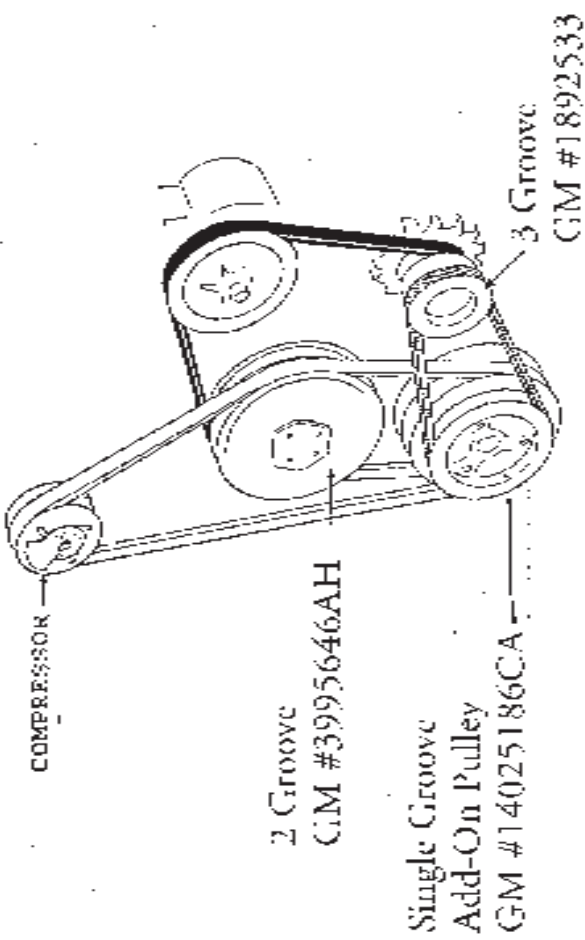


DIAGRAM 1

WITH  
POWER  
STEERING

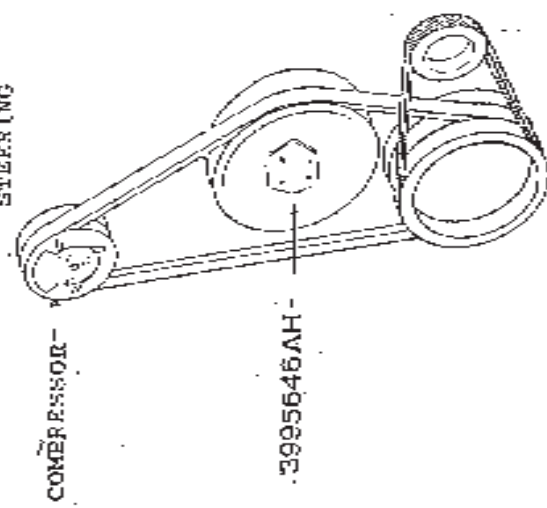


DIAGRAM 2

WITHOUT  
POWER  
STEERING

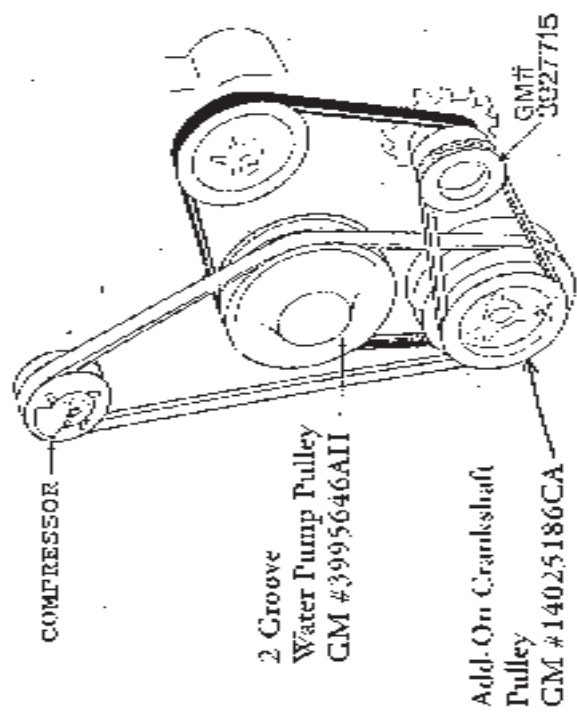


DIAGRAM 1

WITH  
POWER  
STEERING

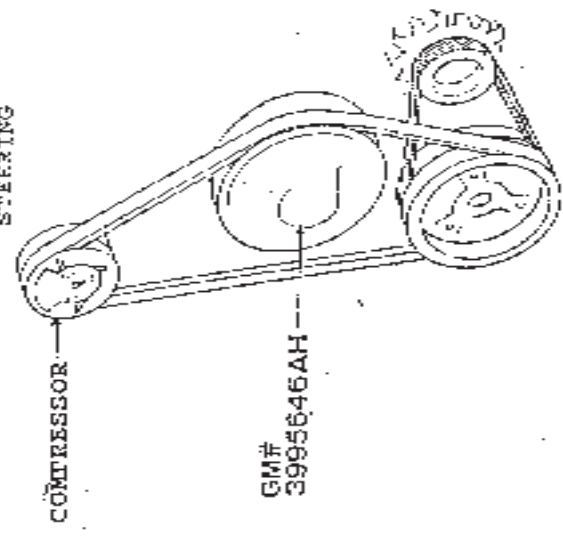


DIAGRAM 2

WITHOUT  
POWER  
STEERING