

# A.C. COMPRESSOR AND ALTERNATOR MOUNT

## 40-0314

### Flathead Ford/Mercury Late Narrow Belt

1950 - 53 Car

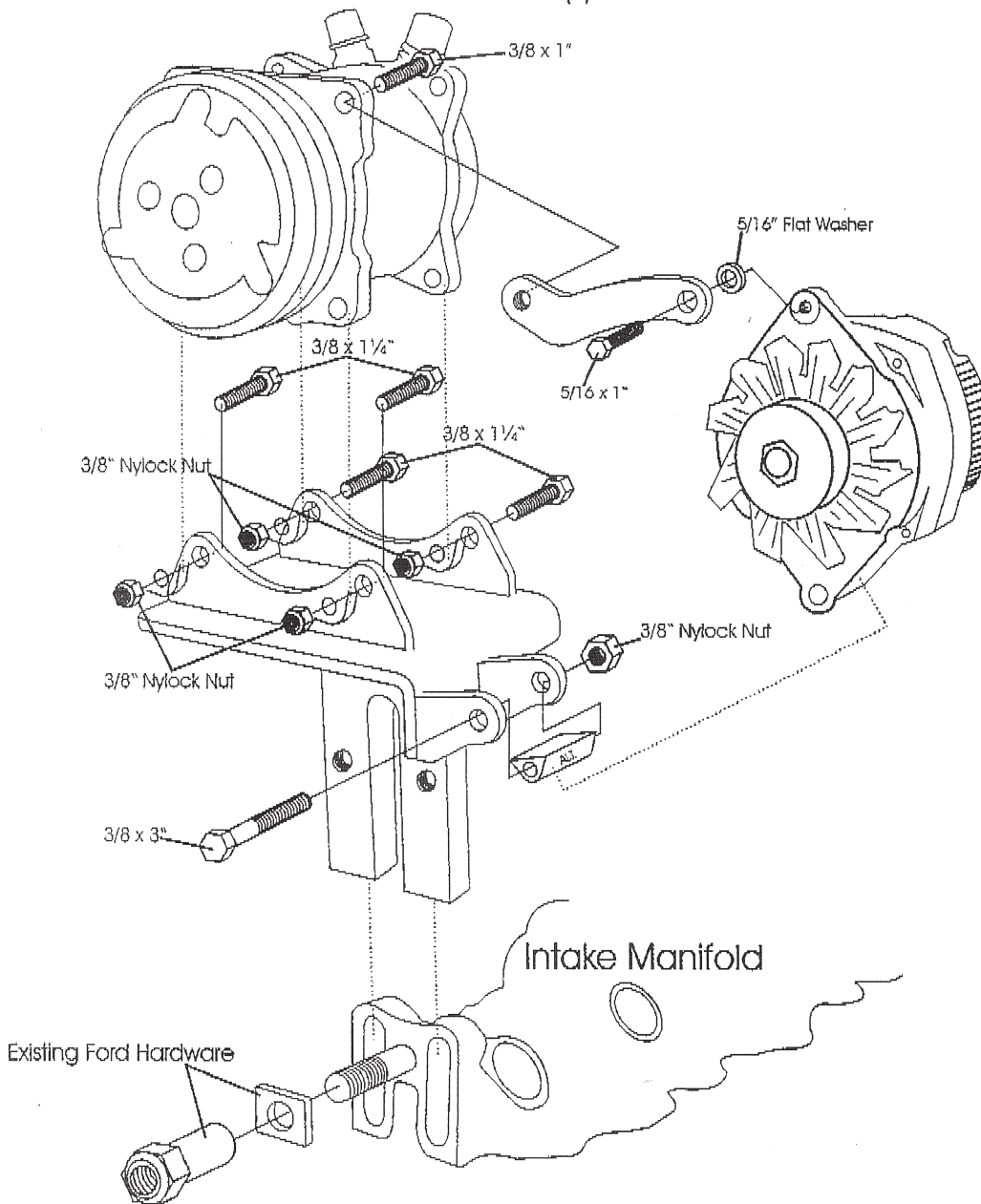
# OLD AIR PRODUCTS

DIVISION OF COLD AIR PRODUCTS INC.

1201 Forum Way South - Fort Worth, TX 76140  
(817) 531-2665 - FAX (817) 531-3257

**NOTE:** Off-set water necks will be required for upper radiator hose clearance of bracket system. These parts are available from Offenhauser or their dealers.

We use a belt length of  $59 \frac{5}{8}$ " in our shop for the alternator and A.C. Compressor belt (NAPA part# 7590), and a fan belt length of  $42 \frac{1}{8}$ " (NAPA part# 7417). These lengths may vary depending on your pulley diameters and application.



# Flathead Water Pump Dimensions

