

1201 Forum Way South - Fort Worth, TX 76140
(817) 531-2665 - FAX (817) 531-3257

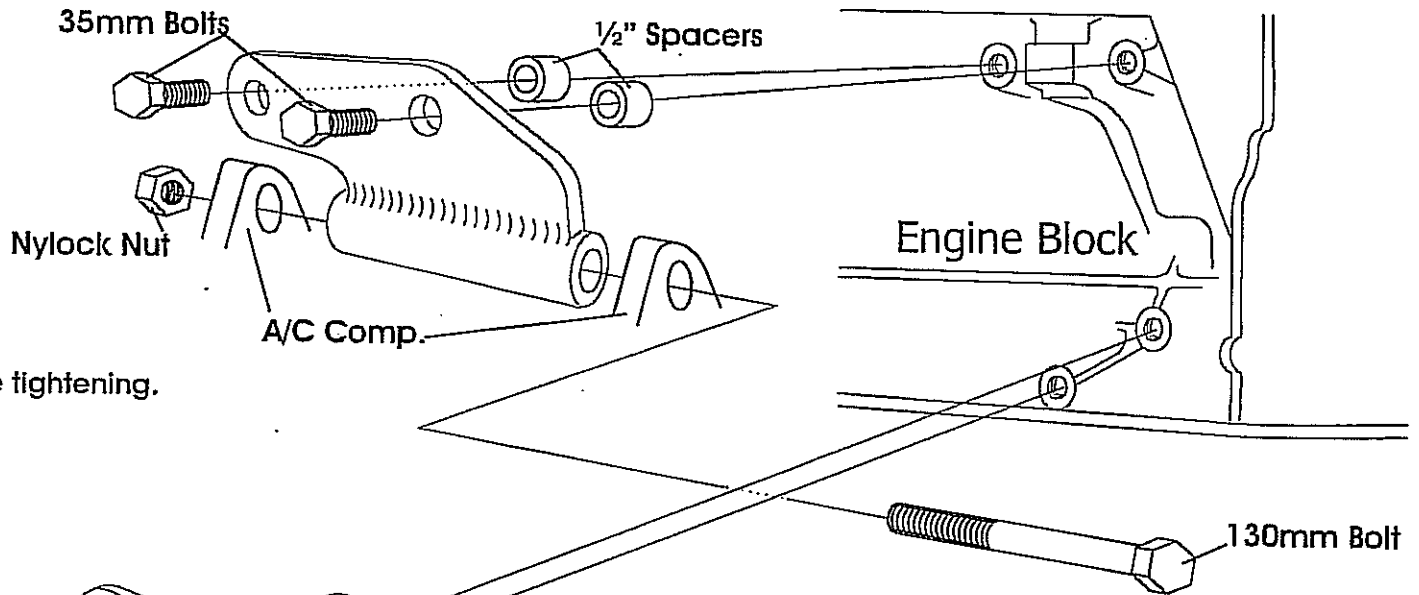
DIVISION OF COOL AIR PRODUCTS INC



40-143R
Compressor
Bracket
GM LS1
Camaro/Firebird
Low Mount
Passenger Side

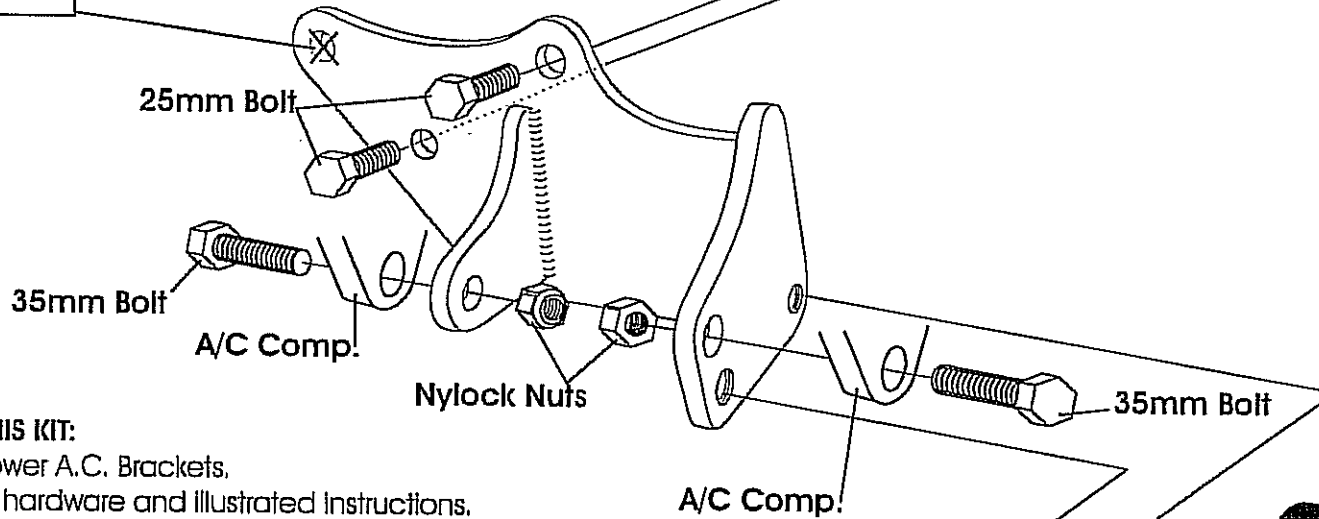
40-143R Compressor Bracket

LS1 Camaro/Firebird
Low Mount



*Note: Be sure to start all bolts before tightening.

*Note: This hole is for the cast iron LS truck block and will not be used in this application.



PARTS INCLUDED IN THIS KIT:

- Upper and Lower A.C. Brackets,
- All necessary hardware and Illustrated instructions.
- Heavy duty automatic belt tensioner.
- 37" Four rib belt (Dayco# 5040365)

*Compressor and belt information: This bracket is designed for the Sanden 508 A.C. Compressor (Sanden Part# 4514). Sanden Compressors are equipped with a 7 groove clutch pulley; only the rear 4 grooves will be used in this application.

This bracket system is designed for Gen III GM LS1 Camaro and Firebird Motors. AS WITH ANY PART OF THIS NATURE, MAKE SURE IT FITS YOUR APPLICATION BEFORE PAINTING OR PLATING. PARTS THAT HAVE BEEN PAINTED, PLATED OR MODIFIED MAY NOT BE RETURNED.

